

THREE POSITION SWITCH

SCM-SWITCH-O/O/Momentary



DESCRIPTION

Off/On/Momentary switch for Shadow-Caster® lighting products.

SPECIFICATIONS

- Off/On/Momentary
- LED Voltage Rating: 12V (Add 600 ohm resistor between pin 7 and ground for 24V operation)
- LED Color: Blue x 2
- Terminals: Brass or copper/silver plate 1/4" (6.3mm) quick connect
- Sealing IP66/68, for above-panel components of actual switch only
- Operating Temp. -40°C to +85°C
- Contact Rating: 20 amps, 4-14VDC and 15 amps, 15-28VDC
- Switch and actuator color: Black

SCM-SWITCH-O/O/Momentary

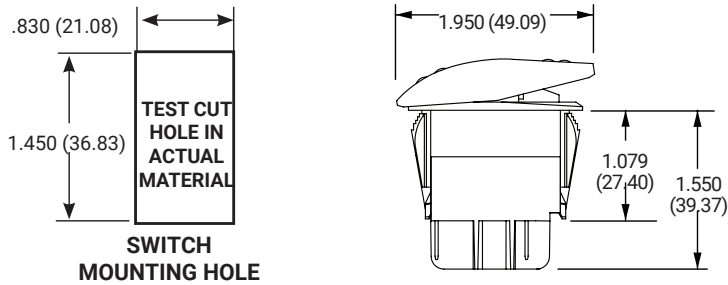
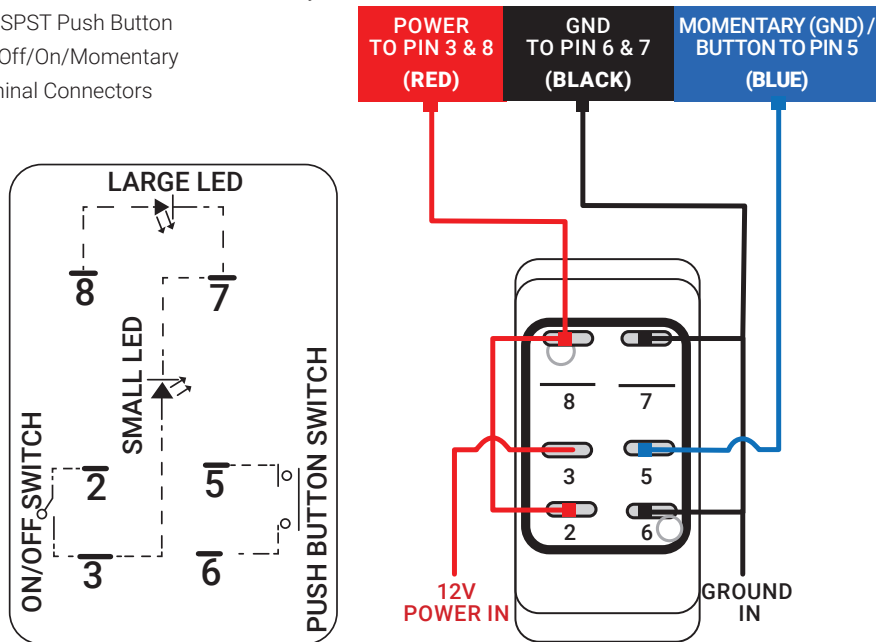


DIAGRAM FOR SCM-SWITCH-O/O/MOMENTARY SHADOW-CASTER® LIGHTING

Part Number: SCM-SWITCH-O/O/Momentary
 Illuminated SPST Push Button
3 Position: Off/On/Momentary
 Spade Terminal Connectors

TYPICAL WIRING



Designed & Manufactured in Clearwater, FL
 © 2020 Shadow-Caster® LEDs. All Right Reserved.

Shadow-Caster® LED Lighting | 2060 Calumet Street | Clearwater, FL 33765
 p: +1 727.474.2877 e: info@shadow-caster.com w: shadow-caster.com