



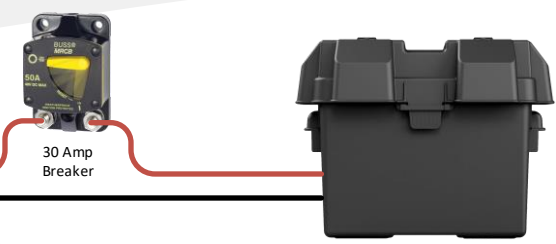
Shadow-Caster
LED Lighting
2060 Calumet St.
Clearwater, FL 33765
(727) 474-2877
Shadow-Caster.com

For music sync, connect the line out from your amplifier using a Male 3.5mm to Male 3.5mm OR Male RCA to Male 3.5mm For more details, refer to your amplifiers manual on how to connect the Line Out

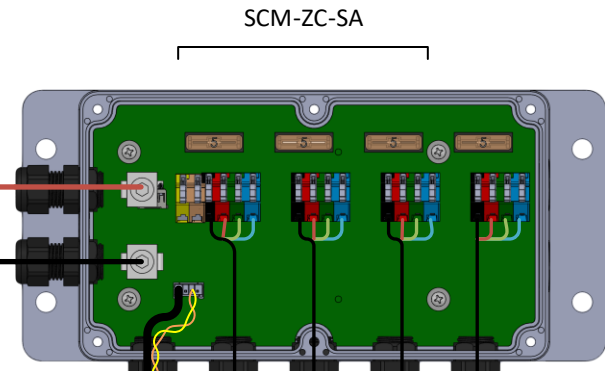
You can connect the Shadow-Net Wires (Orange & Yellow) to EITHER the wire pigtail AND/OR the spring terminal located inside the enclosure.

15 Amps of current for x2 SCR-24-CC. Make sure to use appropriate gauge wire for the Red and Black (Power and Ground)

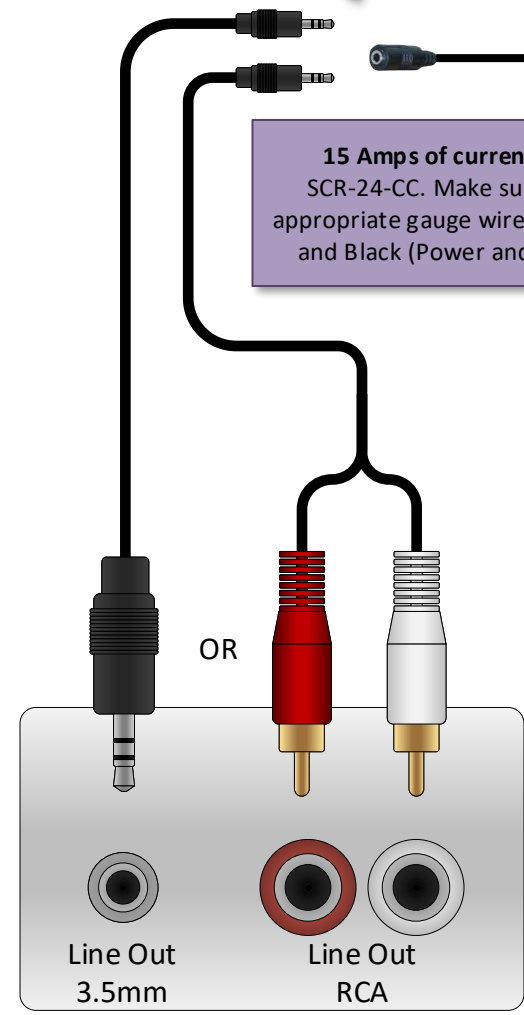
Breaker at 10 Amps



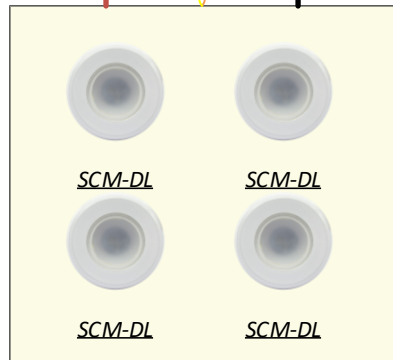
10 Amp Breaker



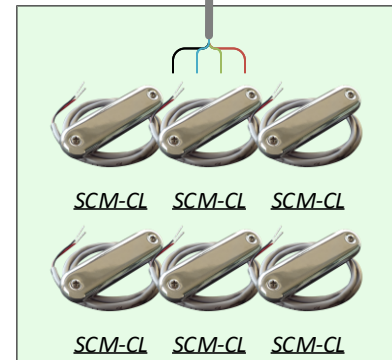
SCM-MFD-Bridge



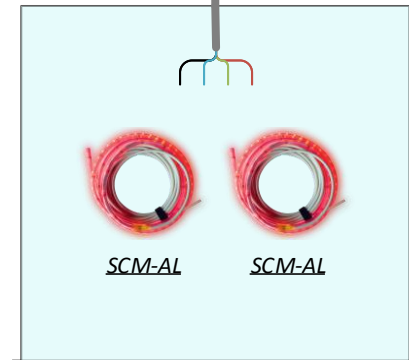
Zone 1 - Underwater



Zone 2 - Overhead



Zone 3 - Deck



Zone 4 - Accent

The lights shown in each zone are examples.
There are nearly endless combinations of possible zone configurations.
Analog RGB lights can be on any zone from 1-4
Shadow-Net CAN lights can be assigned to any zone, as long as they are connected to the orange and yellow wires
(see assigning a light to a zone)