

SCM-MFD-Bridge Wiring Diagram

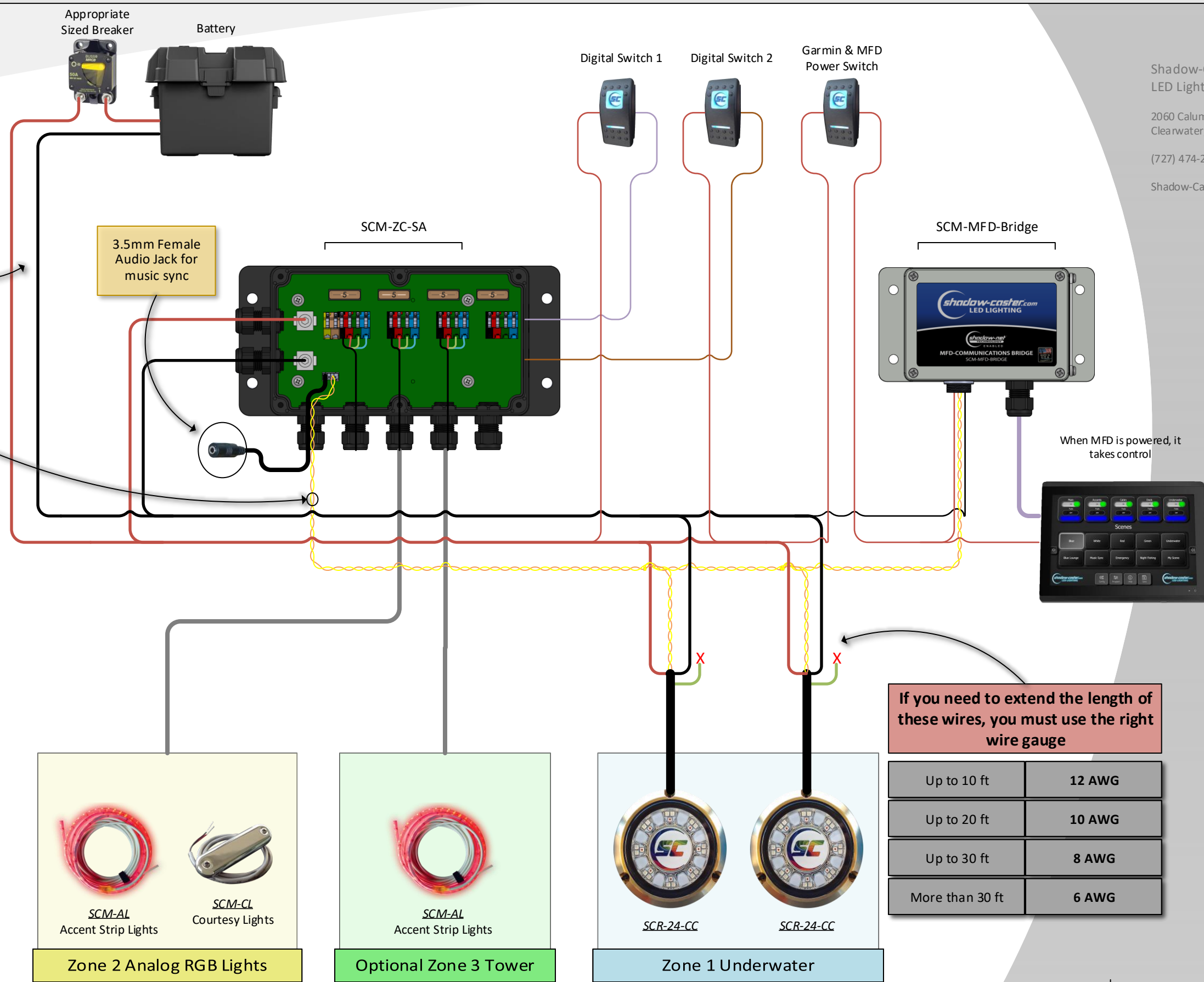


Shadow-Caster
LED Lighting
2060 Calumet St.
Clearwater, FL 33765
(727) 474-2877
Shadow-Caster.com

Choose the appropriate wire gauge for your system!
If you use wires that are not thick enough, you risk **damaging your products and voiding your warranty.** Refer to our **wire sizing chart** for help on choosing the right type of wire to use.

You can connect the Shadow-Net Wires (Orange & Yellow) to either the wire pigtail **AND/OR** the spring terminal located inside the enclosure.

The lights shown in each zone are examples. There are nearly endless combinations of possible zone configurations.
Analog RGB lights can be on any zone from 1-4
Shadow-Net CAN lights can be assigned to any zone, as long as they are connected to the orange and yellow wires



If you need to extend the length of these wires, you must use the right wire gauge

| | |
|-----------------|--------|
| Up to 10 ft | 12 AWG |
| Up to 20 ft | 10 AWG |
| Up to 30 ft | 8 AWG |
| More than 30 ft | 6 AWG |