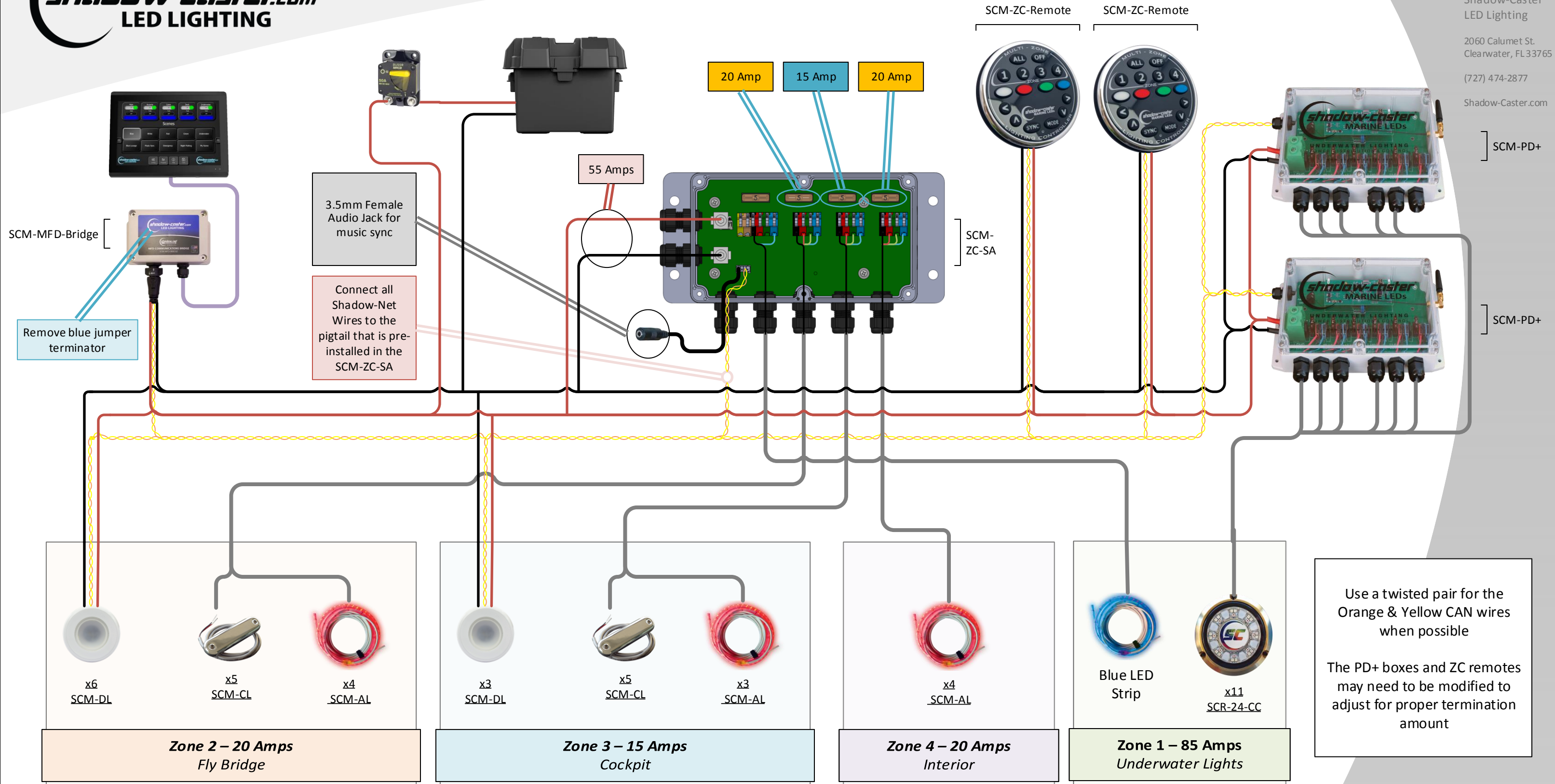




Shadow-Caster  
LED Lighting  
2060 Calumet St.  
Clearwater, FL 33765  
(727) 474-2877  
Shadow-Caster.com



SCM-MFD-Bridge  
Remove blue jumper terminator

3.5mm Female Audio Jack for music sync  
Connect all Shadow-Net Wires to the pigtail that is pre-installed in the SCM-ZC-SA

Use a twisted pair for the Orange & Yellow CAN wires when possible  
The PD+ boxes and ZC remotes may need to be modified to adjust for proper termination amount