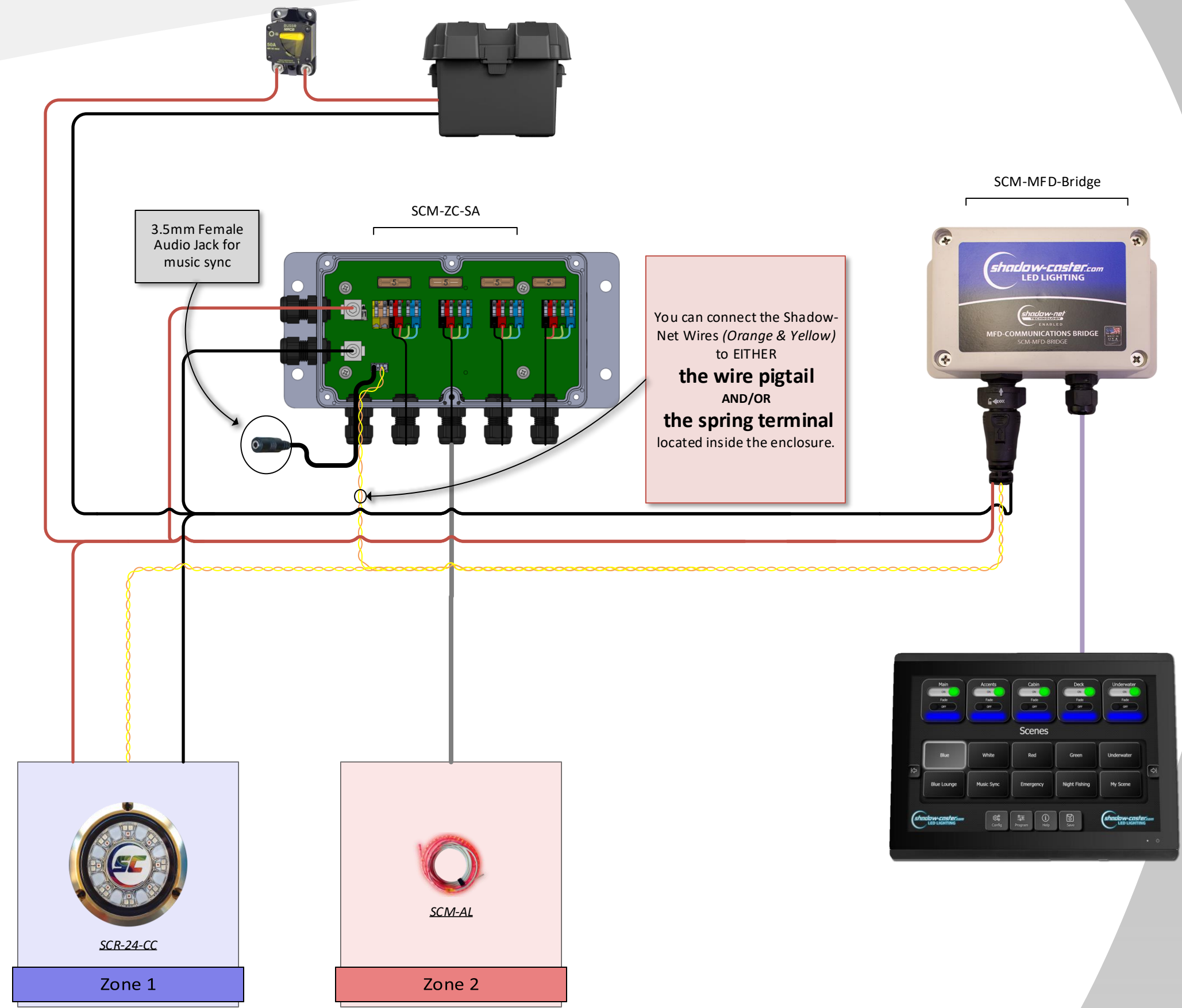


# SCM-MFD-Bridge Wiring Diagram



Shadow-Caster  
LED Lighting  
2060 Calumet St.  
Clearwater, FL 33765  
(727) 474-2877  
Shadow-Caster.com



**The lights shown in each zone are examples.**

*There are nearly endless combinations of possible zone configurations.*

Analog RGB lights can be on any zone from 1-4  
Shadow-Net CAN lights can be assigned to any zone, as long as they are connected to the orange and yellow wires

*(see assigning a light to a zone)*

You can connect the Shadow-Net Wires (Orange & Yellow) to EITHER  
**the wire pigtail**  
AND/OR  
**the spring terminal**  
located inside the enclosure.