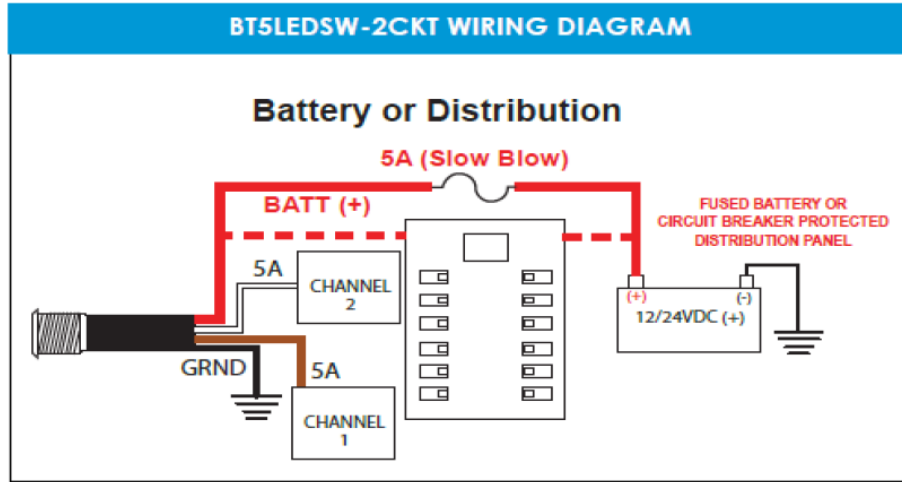


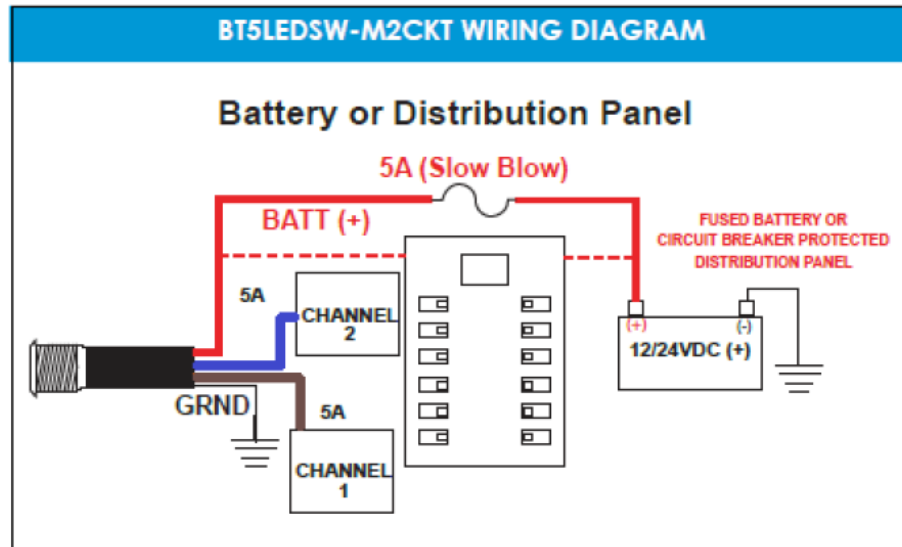
BocaTech Switches 2-Circuit Switches

BT5LEDSW-2CKT



⚠ IMPORTANT: Proper wiring must be followed!
Improper wiring may cause damage to switch.

BT5LEDSW-M2CKT



⚠ IMPORTANT: Proper wiring must be followed!
Improper wiring may cause damage to switch.

BT5LEDSW-M2CKT for Reverse Polarity

A common question asked is, how to use a BT5LEDSW-M2CKT in conjunction with a linear actuator or motor that requires reverse polarity. You will need two SPDT relays to achieve this, ensure they are rated for the correct voltage and current. Please see diagram below:

