

# SCM-MFD-Bridge Wiring Diagram



**Choose the appropriate wire gauge for your system!**

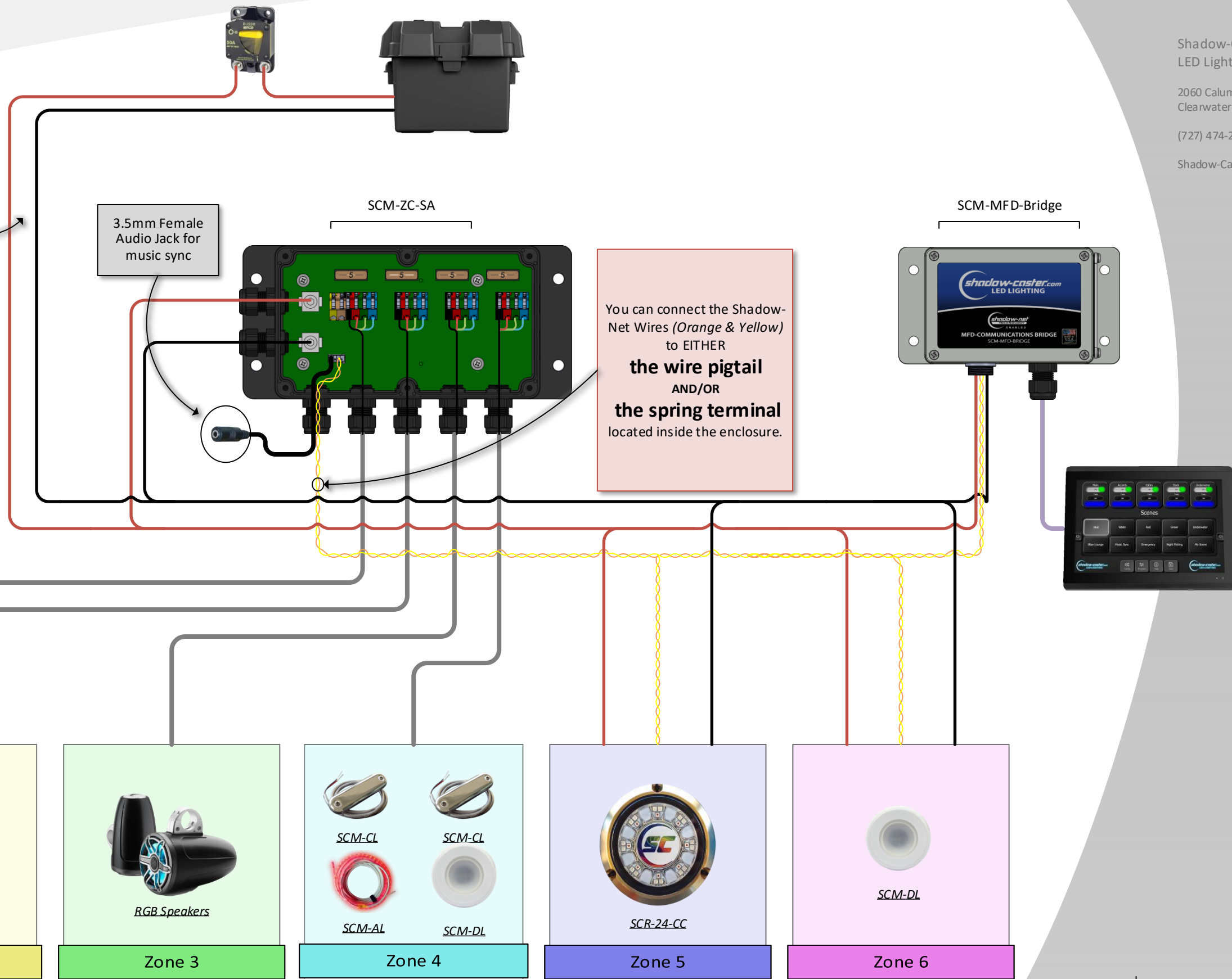
If you use wires that are not thick enough, you risk damaging your products and voiding your warranty. Refer to our **wire sizing chart** for help on choosing the right type of wire to use.

**The lights shown in each zone are examples.**

There are nearly endless combinations of possible zone configurations.

Analog RGB lights can be on any zone from 1-4

Shadow-Net CAN lights can be assigned to any zone, as long as they are connected to the orange and yellow wires



You can connect the Shadow-Net Wires (Orange & Yellow) to EITHER the wire pigtail AND/OR the spring terminal located inside the enclosure.