

SPREADER LIGHT

SCM-SL Series

• 1500 Lumens



DESCRIPTION

The Shadow-Caster® Spreader Light is perfect for illuminating decks and other large areas of your boat or yacht. The flush mount version is great for mounting in T-Tops or use the bracket mount version to retrofit existing installations. The Shadow-Caster® Spreader Light has a unique reflector design which spreads the light beams out to reduce glare. The Spreader Light comes in black or white finish. It is available in 3 color output options: single color white, 2 color (white and blue) as well as a full color version. The brightness and color can be controlled with a standard switch.

FEATURES

- Soft start technology ramps the brightness up gently over 2 seconds.
- Power toggle feature to set brightness and change color
- True white LED for best color performance
- High efficiency switch mode power supply
- Waterproof low-profile aluminum housing
- White or black finish
- Unique reflector design to reduce glare

SPECIFICATIONS

- 1500 lumen output
- 60 degree beam angle
- 16 watt power draw
- 10-30 volts Input
- 1.4A at 12 volts, 0.7A at 24 volts
- 6200 Kelvin cool white color temperature
- 5" (127mm) overall width x 1.5"(38mm) height x 1.3" (33mm) mounting depth.
- IP67 waterproof design
- Durable glass lens
- Full color version includes Shadow-NET® interface for controlling color

INCLUDES

- Spreader light
- Mounting screws and (2 screws) #4 X 0.5" SS3160H screws with flush mount version
- Quick start guide
- Standard 2 year warranty

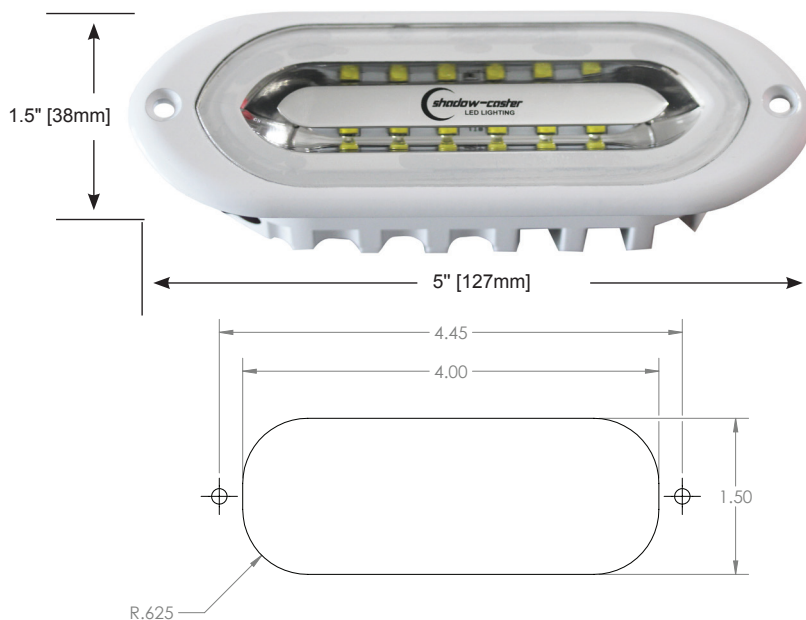
2 CONTROL OPTIONS

- 1. Power Toggle Control**
Quickly toggle power source to advance to next color or brightness level
- 2. Add Shadow-NET® Control**
Dramatic, full-feature control through your Multifunction Display (MFD) by adding the Shadow-NET® control module (SCM-MFD-LC-KIT) & app

Shadow-NET® Modes

- Unlimited shades of color and fading
- Dimming
- Strobe rate
- Music sync
- Multiple zones
- And much more... Dramatically enhanced lighting capabilities through your existing MFD

SCM-SLF-FLUSH MOUNT VERSION



| SCM-SL SERIES LIGHT COLOR MODELS | WHITE 1 Color Light | WHITE, BLUE AND RED 3 Color Light | FULL COLOR 12 Color Light | FULL COLOR 12 Color Light |
|----------------------------------|------------------------|--------------------------------------|------------------------------|------------------------------|
| FLUSH MOUNT VERSION | SCM-SLF-GW-WH | SCM-SLF-WBR-WH | SCM-SLF-CC-WH | SCM-SLF-CC-BK |
| BRACKET MOUNT VERSION | SCM-SLB-GW-WH | SCM-SLB-WBR-WH | SCM-SLB-CC-WH | SCM-SLB-CC-BK |
| HOUSING COLOR | White | White | White | Black |



Designed & Manufactured in Clearwater, FL
© 2020 Shadow-Caster® LEDs. All Right Reserved.

Shadow-Caster® LED Lighting | 2060 Calumet Street | Clearwater, FL 33765
p: +1 727.474.2877 e: info@shadow-caster.com w: shadow-caster.com