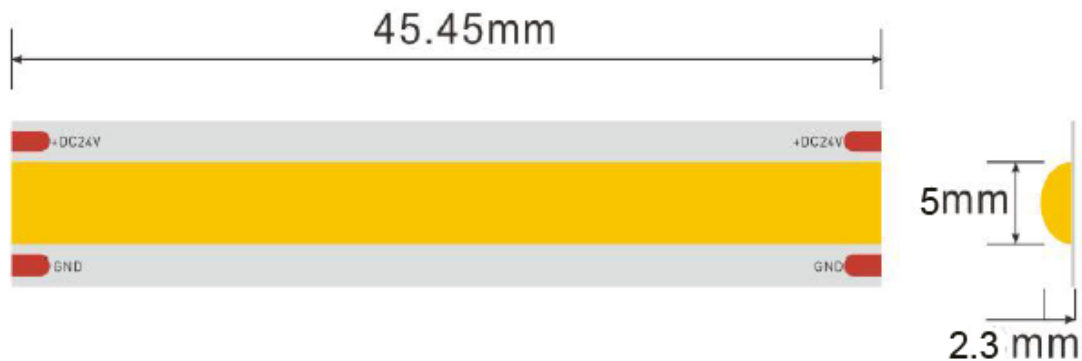


# Dotless COB LED Linear Flexible Strip



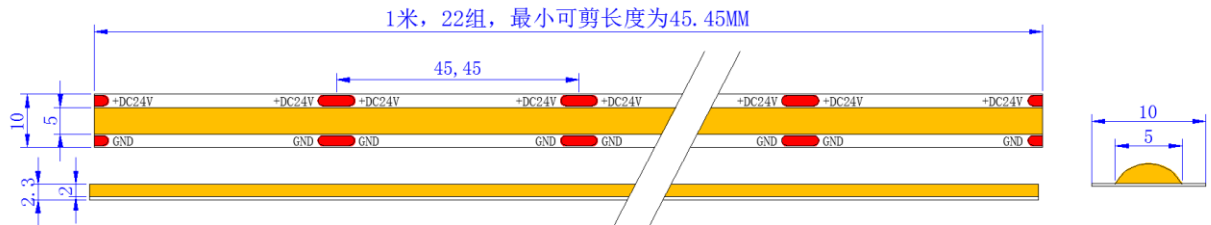
- COB design simply uses the chips directly, which make the emitting units unprecedentedly close to each other, and creates super even lighting performance.
- 8mm & 10mm PCB width, *no more hot spots or shadows!*
- Red/Green/Blue single color are all available.
- Both 12V and 24V are available.
- 180° beam angle, 50% wider lighting than SMD design.
- CCT: WW 2400-2600K, WW 2800-3200K, NW 4000-4500K, CW 6000-6500K

## Specifications:

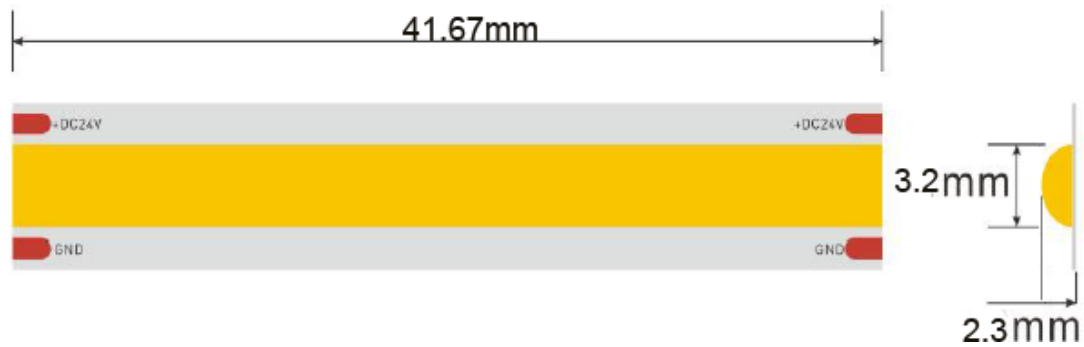


Item No.:	EL-COB1014
Width:	10mm
Cutting Length:	22.73mm at 12V; 45.45mm at 24V.
Brightness:	1400Lm/M
Wattage:	14W/M
Voltage:	12V & 24V

Efficiency:	100lm/w
Chip Qty:	528
CRI:	90+/95+ all available

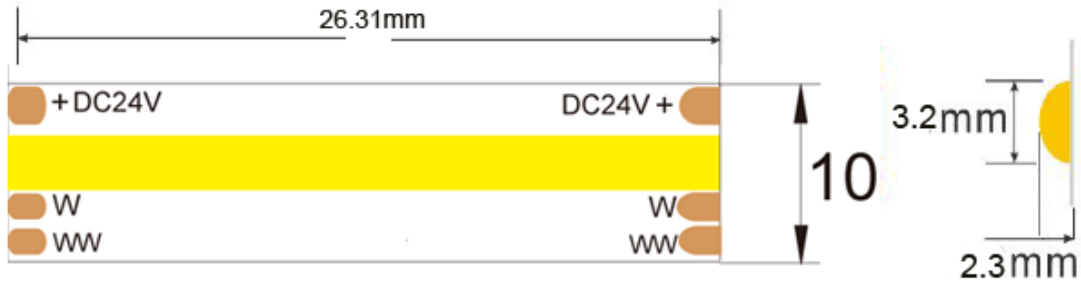


### Specifications:

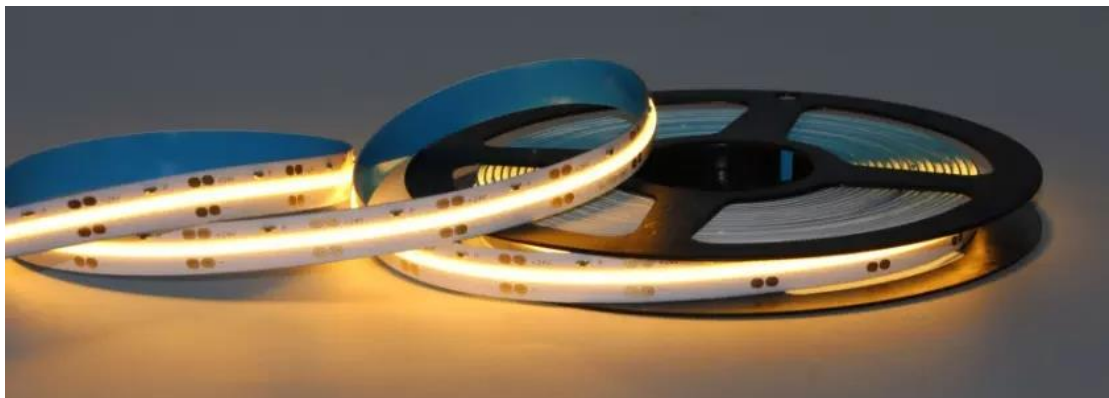


Item No.:	EL-COB1010
Width:	8mm
Cutting Length:	20.83mm at 12 V; 41.67mm at 24V.
Brightness:	1000Lm/M
Wattage:	10W/M
Voltage:	12V & 24V
Efficiency:	100lm/w
Chip Qty:	384
CRI:	90+/95+ all available

*Specifications:*



Item No.:	EL-COB1020
Width:	10mm
Cutting Length:	26.31mm at 24V.
Brightness:	1050Lm/M@3000K,1980Lm/M@4000K,1250Lm/M
Wattage:	WW12W/M, NW24W/m, CW 12W/m
Voltage:	24V
Efficiency:	100lm/w
Chip Qty:	608
CRI:	90+/95+ all available

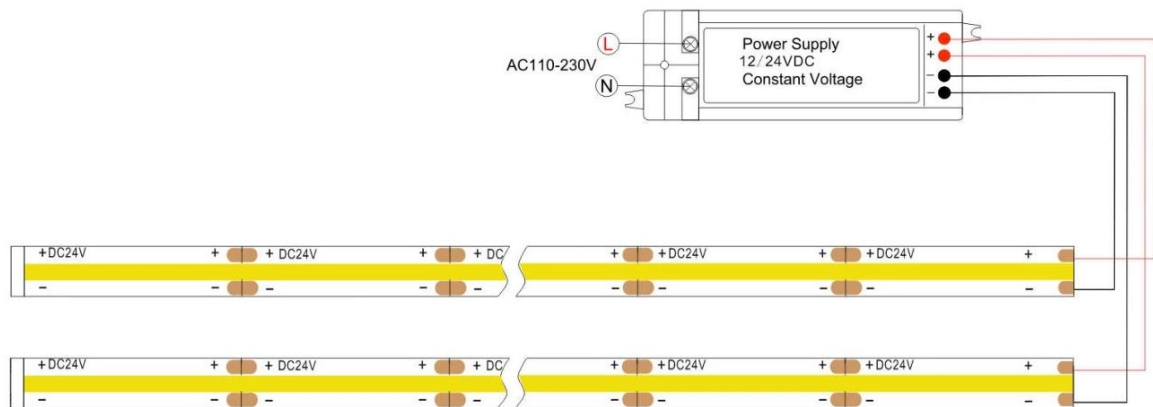


Waterproof Options:



## Connection:

Single color:



Red wire is positive and black wire is negative

CCT Dimmable: